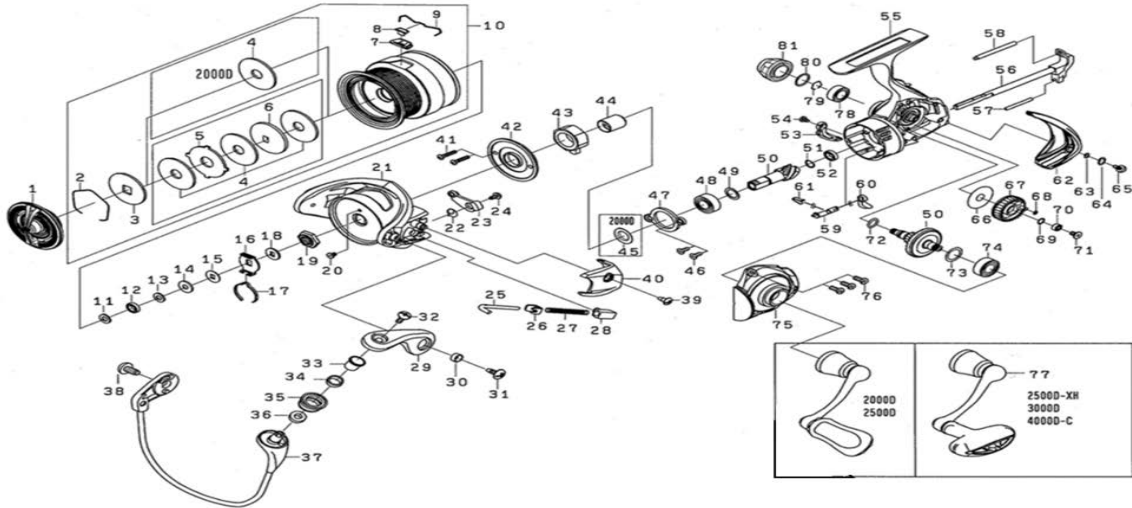




PCNAL2000D/2500D/2500D-XH/3000D/4000D-C

*Please order by parts number, not key number.



Key No	PCNAL2000D Part No	Description	PCNAL2500D Part No	PCNAL2500D-XH Part No	PCNAL3000D Part No	PCNAL4000D-C Part No
1	J69-7001	DRAG KNOB	J69-7601	J69-7601	J69-7601	J69-8701
2	J54-7101	DRAG RING	J54-7101	J54-7101	J54-7101	J54-7101
3	J54-7001	DRAG DISC WASHER	J54-7001	J54-7001	J54-7001	J54-7001
4	J54-6801	DRAG DISC WASHER	J54-6801	J54-6801	J54-6801	J54-6801
5	---	---	J54-6902	J54-6902	J54-6902	J54-6902
6	---	---	J54-7001	J54-7001	J54-7001	J54-7001
7	J56-3601	LINE STOPPER PLATE	J55-8101	J55-8101	J55-8101	J56-8601
8	J55-8001	LINE STOPPER	J55-8001	J55-8001	J55-8001	J55-8001
9	J31-4801	LINE STOPPER SPRING	J31-4801	J31-4801	J31-4801	J31-4801
10	M05-8901	SPOOL ASSY	M05-9301	M05-9301	M06-0001	M06-0401
11	M03-7401	SPOOL BB WASHER (A)	M03-7401	M03-7401	M03-7401	M03-7401
12	E33-2501	SPOOL BALL BEARING	E33-2501	E33-2501	E33-2501	E33-2501
13	B41-1706	SPOOL BB WASHER (B)	B41-1706	B41-1706	B41-1706	B41-1706
14	E39-8003	WASHER (A)	E39-8003	E39-8003	E39-8003	E39-8003
15	E46-7101	WASHER (B)	E46-7101	E46-7101	E46-7101	E46-7101
16	M02-1401	CLICK HOLDER	M02-1401	M02-1401	M02-1401	M02-1401
17	H41-6101	CLICK LEAF SPRING	H41-6101	H41-6101	H41-6101	H41-6101
18	J70-3101	CLICK HOLDER WASHER	J70-3101	J70-3101	J70-3101	J70-3101
19	J00-1901	ROTOR NUT	J00-1901	J00-1901	J00-1901	J00-1901
20	H02-2701	ROTOR NUT SCREW	H02-2701	H02-2701	H02-2701	H02-2701
21	H97-4334	ROTOR	J54-5313	J54-5313	H96-0059	J56-7517
22	H44-3301	KICK LEVER SPRING	H41-3601	H41-3601	H41-3601	H41-3601
23	H44-3401	KICK LEVER ASSY	J54-5401	J54-5401	J03-8501	J56-7601
24	H41-7701	KICK LEVER SCREW	H41-7701	H41-7701	H41-7701	H41-7701
25	H44-3601	ARM LEVER SHAFT	J54-5601	J54-5601	H41-4101	H57-2001
26	H57-6101	ARM LEVER SHAFT PLATE	H57-6101	H57-6101	H57-6101	H57-6101
27	H44-2401	ARM LEVER SHAFT SPRING	J64-2801	J64-2801	H54-5701	H41-4201
28	H41-4301	ARM LEVER SHAFT HOLDER	H41-4301	H41-4301	H41-4301	H41-4301
29	H72-8933	ARM LEVER	H72-8933	H72-8933	H72-8933	H72-8933
30	H96-2401	ARM LEVER COLLAR	H96-2401	H96-2401	H96-2401	H96-2401
31	G20-5001	ARM LEVER SCREW	G20-5001	G20-5001	G20-5001	G20-5001
32	G19-5602	ROLLER SCREW	G19-5602	G19-5602	G19-5602	G19-5602
33	G19-5501	ROLLER COLLAR (A)	G19-5501	G19-5501	G19-5501	G19-5501
34	G22-0701	ROLLER COLLAR (B)	G22-0701	G22-0701	G22-0701	G22-0701
35	J08-9901	LINE ROLLER	J08-9901	J08-9901	J08-9901	J08-9901
36	G87-4201	ROLLER COLLAR (C)	G87-4201	G87-4201	G87-4201	G87-4201
37	H98-3201	BAIL ASSY	J95-2801	J95-2801	H98-2801	J78-2301
38	G20-5001	BAIL ARM SCREW	G20-5001	G20-5001	G20-5001	G20-5001
39	G27-0801	ARM LEVER SPRING COVER SCREW	G27-0801	G27-0801	G27-0801	G27-0801
40	H97-4401	ARM LEVER SPRING COVER	J54-5701	J54-5701	H96-0201	J56-7801
41	J00-1601	SEALED PLATE SCREW	J00-1601	J00-1601	J00-1601	J00-1601
42	J02-2701	SEALED CAP	J02-2701	J02-2701	J01-3401	J01-3401
43	J38-8401	ONEWAY CLUTCH	J38-8401	J38-8401	J38-8401	J38-8401
44	J00-1403	CLUTCH RING	J00-1403	J00-1403	J00-1403	J00-1403
45	375-8501	CLUTCH RING WASHER	---	---	---	---
46	J00-0901	PINION BEARING PLATE SCREW	J00-0901	J00-0901	J00-0901	J00-0901
47	H44-2201	PINION BEARING PLATE SCREW	H44-2201	H44-2201	H41-1501	H41-1501
48	G46-7302	PINION BALL BEARING(A)	G46-7302	G46-7302	G53-5104	G53-5104
49	375-8502	PINION BEARING WASHER	375-8502	375-8502	375-8502	375-8502
50	Z02-4926	PINION + DRIVE GEAR SET	Z02-4926	Z02-4814	Z02-4927	Z02-4927
51	H93-1701	PINION BEARING (B) SPRING WASHER	H93-1701	H93-1701	H93-1701	H93-1701
52	H95-9601	PINION BALL BEARING (B)	H95-9601	H95-9601	G46-6202	G46-6202
53	J02-2601	BAIL KICK COLLAR	J02-2601	J02-2601	J00-1101	J00-1101
54	G94-0402	BAIL KICK COLLAR SPRING	G94-0402	G94-0402	G94-0402	G94-0402
55	M05-8301	BODY ASSY	M05-8303	M05-8303	M05-9501	M05-9502
56	J14-0602	MAIN SHAFT	J14-0702	J14-0702	J14-0805	J14-0803
57	J08-4801	OSCILLATING POST (A)	J08-4801	J08-4801	J08-4802	J08-4802
58	H61-4301	OSCILLATING POST (B)	H61-4301	H61-4301	H61-4301	H61-4301
59	H59-5401	STOPPER CAM	H59-5401	H59-5401	H59-5401	H59-5401
60	H59-5401	STOPPER LEVER	H59-5401	H59-5401	H59-5401	H59-5401
61	H69-7801	STOPPER CAM LEAF SPRING	H69-7801	H69-7801	H69-7801	H69-7801
62	J49-2601	REAR CAP	J49-2601	J49-2601	J49-5301	J49-5301
63	F03-7404	REAR CAP WASHER (A)	F03-7404	F03-7404	F03-7404	F03-7404
64	B41-1703	REAR CAP WASHER (B)	B41-1703	B41-1703	B41-1703	B41-1703
65	J00-1801	REAR CAP SCREW	J00-1801	J00-1801	J00-1801	J00-1801
66	H59-5701	OSCILLATING GEAR WASHER	H59-5701	H59-5701	H59-5701	H59-5701
67	H62-9101	OSCILLATING GEAR	H62-9101	H62-9101	H13-6101	J83-8001
68	H77-0601	OSCILLATING GEAR ORING	H77-0601	H77-0601	G46-6001	G46-6001
69	H12-9201	OSCILLATING BALL BEARING WASHER	H12-9201	H12-9201	H12-9201	H12-9201
70	G46-9005	OSCILLATING BALL BEARING	G46-9005	G46-9005	G46-9005	G46-9005
71	G94-0402	OSCILLATING BALL BEARING SCREW	G94-0402	G94-0402	G94-0402	G94-0402
72	G67-0501	DRIVE GEAR ORING	G67-0501	G67-0501	G67-0501	G67-0501
73	375-8502	DRIVE WASHER	375-8502	375-8502	375-8502	375-8502
74	G46-7302	DRIVE GEAR BALL BEARING (A)	G46-7302	G46-7302	G46-7302	G46-7302
75	M05-8501	BODY COVER ASSY	M05-8501	M05-8501	M05-9701	M05-9701
76	G33-2906	BODY COVER SCREW	G33-2906	G33-2906	G33-2906	G33-2906
77	M05-8701	HANDLE ASSY	M05-9101	M05-9101	M05-9801	M05-0201
78	G52-2706	DRIVE GEAR BALL BEARING (B)	G52-2706	G52-2706	G52-2706	G52-2706
79	G47-2401	DRIVE BEARING RING	G47-2401	G47-2401	G47-2401	G47-2401
80	G16-2401	HANDLE CAP O RING	G16-2401	G16-2401	G16-2401	G16-2401
81	J41-8102	HANDLE CAP	J41-8102	J41-8102	J41-8102	J41-8102